

ADAPTATION TO PITCH OF CORRUGATIONS

The distance «**D**» between the uprights depends on the spacing «**e**» of the corrugations:

=> For $e = 250\text{mm}$: $D = 1.5\text{m}$

=> For $e = 333\text{mm}$: $D = 1.332\text{m}$

Note: for buildings with a peripheral, horizontal parapet, the rail may not follow the horizontal line, since the system is mounted directly on the roof itself which may have a slope.

In this case, choose the cranked upright option, which is less visible.

ALILISSE ON STEEL DECK



COMPATIBILITY

Can be installed on all steel roofing, dry or sandwich panels, installed in accordance with DTU 40.35.

SPECIAL EXTENSION ARM

The arm, fitted with modular mounting plates, can be installed in either direction of the roof corrugations.

In the **standard** version, they can be fitted with a distance **between corrugations** of **250** or **333** mm.

MODULAR INSTALLATION

Can be mounted on the support **perpendicular** or **parallel** to the corrugations.

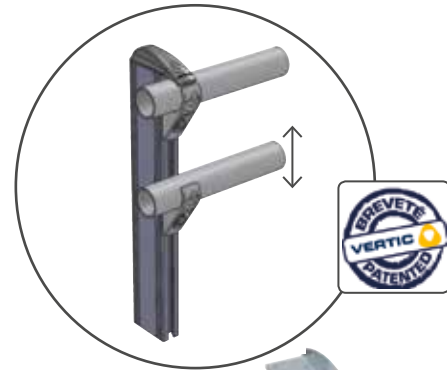
WATER TIGHTNESS OF THE ROOF

The watertightness of the roof is guaranteed owing to **EPDM** seals and the use of **6 waterproof rivets**.

EASY OF INSTALLATION

The top and middle rail use an **ingenious, patented clamping mechanism**.

Possible adjustment of the middle rail on the upright to standardize the intervals depending the height of the parapet.



STANDARD HEIGHT

Since they are **fitted directly on the pedestrian area**.

COMPONENTS ALILISSE®

Top and middle rail

In 36mm extruded aluminium.
Supplied in 3m length, reduced at one end.



AL-LISSE

Bent corner

Can be fitted into the rails to ensure an aesthetic continuity.
Easy installation.



AL-ANG90

Straight Assembly unit

Pre-drilled bottom plates at 250 and 333mm intervals.

Quickly installed, and strong assembly (6 rivets per upright).

Delivered with assembly kit of top and middle rail pre-assembled.



AL-A.EBD

Bent assembly unit

Pre-drilled bottom plates at 250 and 333mm intervals.

Quickly installed, and strong assembly (6 rivets per upright).

Delivered with assembly kit of top and middle rail pre-assembled.



AL-A.EBC

AL-EAA



Articulated corner coupling

Allows making corners from 70° to 180°. Easily adjustable on site.
Diametre and material are identical to the rail for an aesthetic continuity.

AL-PAL



Aluminium plinth

The railing must be fixed with a plinth if the parapet measures less than 100mm (roofs) or 150mm (machines) in relation to the circulation area.

AL-ERF



Fixed straight coupling

For assembling longitudinal sections of non-reduced rails and middle rails.
Fits directly inside the top and middle rails.

AL-BOUCH



End plug

Discret ribbed plug for the ends of top and middle rails.

AL-EXTM



Wall-mounting part

Enables the mounting of rails on any wall. Fixed directly on the wall with 2 fixings diameter 10mm maxi (not included).