



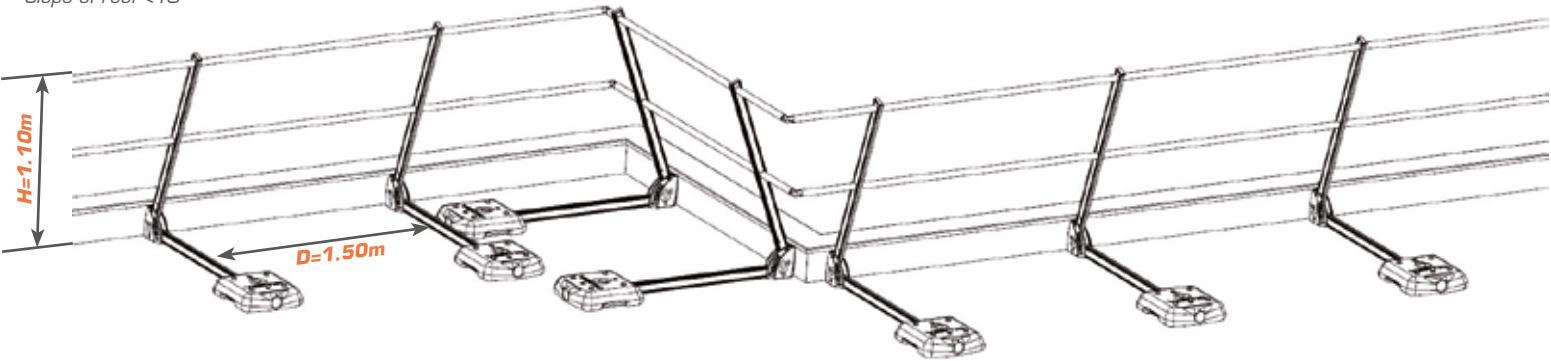
PRODUCT ADVANTAGES

- ▲ Made of aluminium
- ▲ Effective protection of the waterproofing membrane with the ergonomic, rounded shape of the counterweight and the front bumper. The plastic covering of the counterweight prevents any cracking of the concrete block
- ▲ Ease of installation: pre-assembled unit
- ▲ Stability of the system: the counterweight, that can be handled by one single person, includes an ergonomic handle, and assures the stability of the system
- ▲ Optimised storage: four locating pins ensure stacking and facilitate storage of the counterweights
- ▲ Free circulation of the rainwater under the crossbar

FREE-STANDING ALILISSE



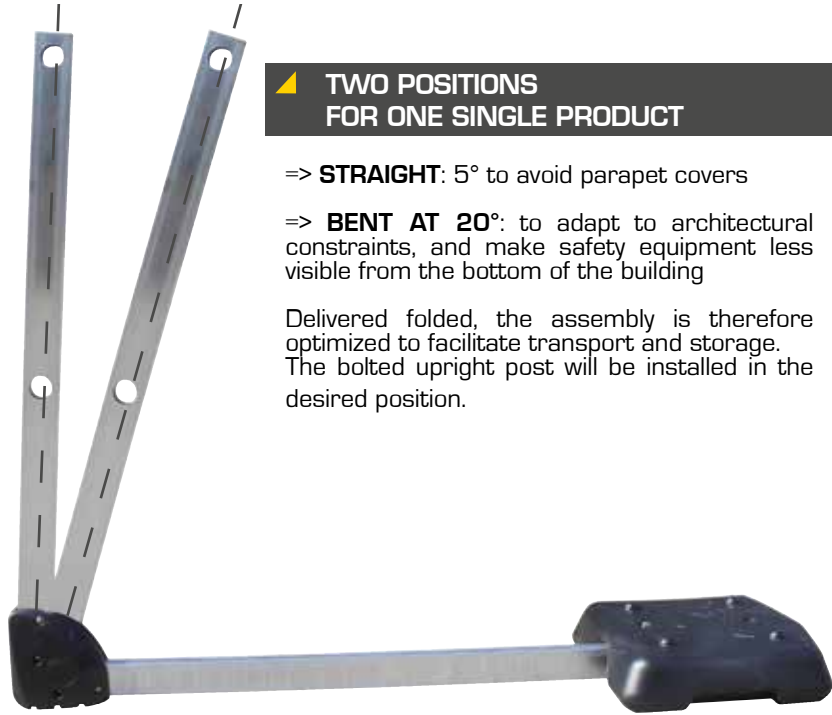
Slope of roof <math><10^\circ</math>



▲ TWO POSITIONS FOR ONE SINGLE PRODUCT

- => **STRAIGHT:** 5° to avoid parapet covers
- => **BENT AT 20°:** to adapt to architectural constraints, and make safety equipment less visible from the bottom of the building

Delivered folded, the assembly is therefore optimized to facilitate transport and storage. The bolted upright post will be installed in the desired position.

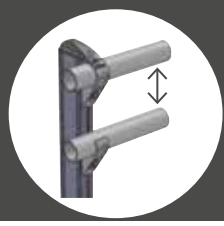


▲ EASY STORAGE AND TRANSPORT



Standard pallet
120x80cm

To complete and harmonize your existing installations, this upright post can be supplied with adjustable clamps.



COMPONENTS ALILISSE®

<p>Top and middle rail</p> <p>In 36mm extruded aluminium. Supplied in 3m length, reduced at one end.</p>	<p>AL-LISSE</p> 	<p>AL-EAA Articulated corner coupling</p> <p>Allows making corners from 70° to 180°. Easily adjustable on site. Diametre and material are identical to the rail for an aesthetic continuity.</p>
<p>Bent corner</p> <p>Can be fitted into the rails to ensure an aesthetic continuity. Easy installation.</p>	<p>AL-ANG90</p> 	<p>AL-ERF Fixed straight coupling</p> <p>For assembling longitudinal sections of non-reduced rails and middle rails. Fits directly inside the top and middle rails.</p>
<p>Assembly unit with counterweight</p> <p>Rail and upright made of aluminium. Concrete counter-weight with plastic covering. Folded to optimize storage.</p>	<p>AL-A.EL</p> 	<p>AL-BOUCH End plug</p> <p>Discret ribbed plug for a perfect safety of the ends of top and middle rails.</p>
<p>Aluminium plinth</p> <p>The railing must be fixed with a plinth if the parapet measures less than 100mm (roofs) or 150mm (machines) in relation to the circulation area. End plugs and corners available.</p>	<p>AL-PAL</p> 	<p>AL-EXTM Wall-mounting part</p> <p>Enables the mounting of rails on any wall. Fixed directly on the wall with 2 fixings diameter 10mm maxi (not included).</p>